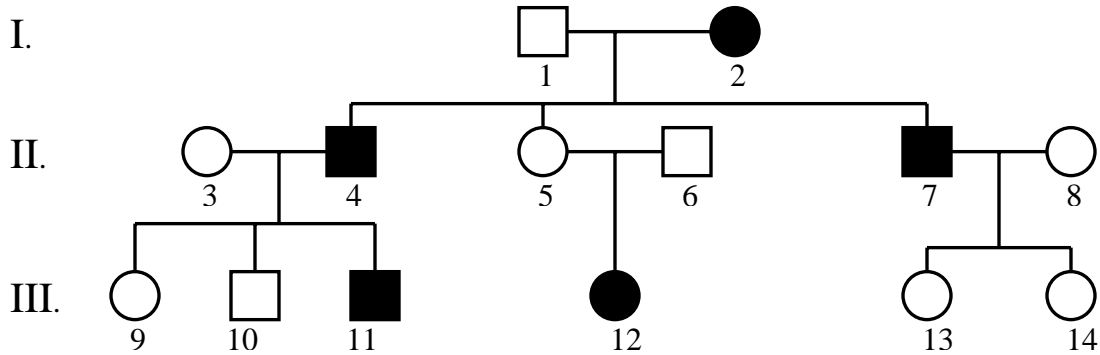


Name: _____
 Mr. Willis
 Biology: _____
 Date: _____

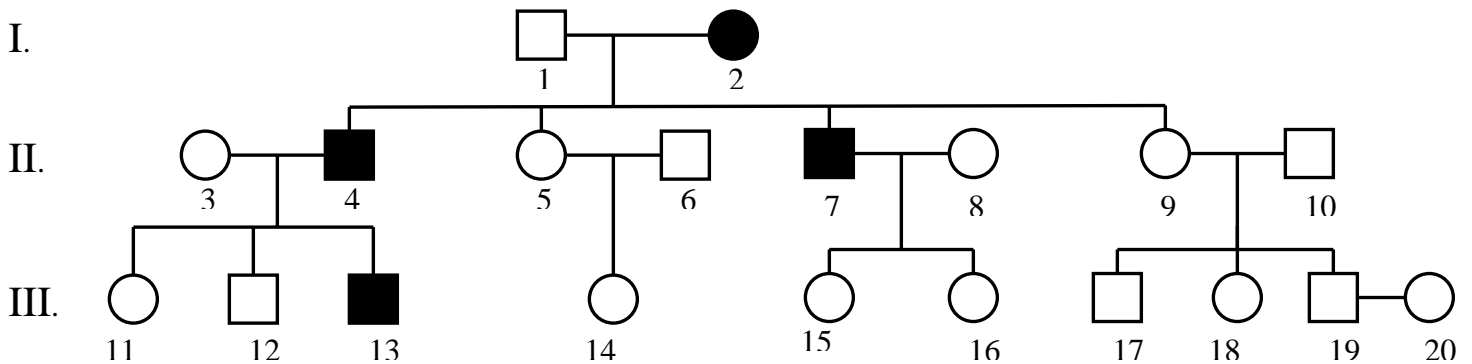
Unit VII
 Biology – Heredity
 Need extra help?
 Check out <http://www.bayhicoach.com>

VII

Pedigree Practice



- How many affected females are there shown on the pedigree? _____
- How many affected males are there shown on the pedigree? _____
- How many single males are there shown on the pedigree? _____
- How many married females are there on the pedigree? _____
- How many offspring did I-1 and I-2 have? _____
- An autosomal trait is one that is not sex-linked, meaning either a male or female can display the trait. Is the trait shown in the pedigree autosomal? _____ Explain.



- How many generations are shown in the pedigree above? _____
- The pedigree shows the trait hemophilia. How many men have hemophilia? _____
- How many marriages are shown in the pedigree? _____
- How many people were never married? _____
- Would the hemophilia trait be considered autosomal? _____ Explain.